

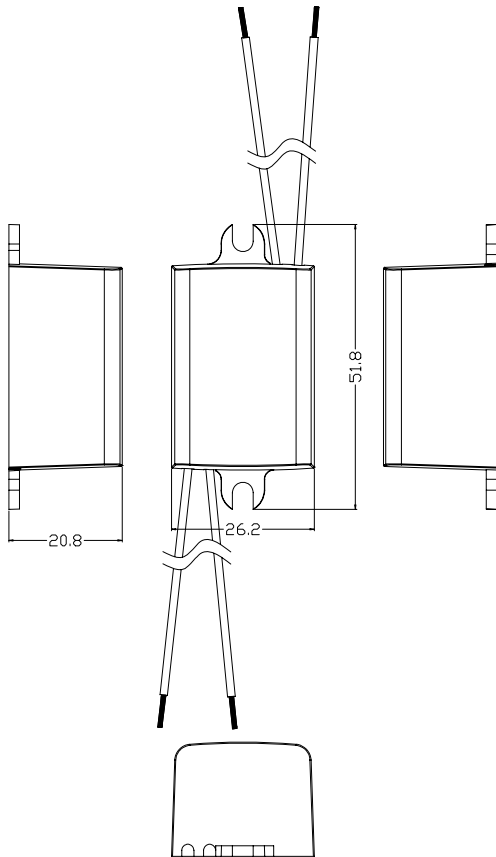
**TDC Power Products Co.,Ltd**  
**Cheng Yen Electronic Co.,Ltd**

**SC1X-120-0350**

**INPUT VOLTAGE : 100~240VAC**  
**OUTPUT VOLTAGE : 12VDC**

**SWITCHING POWER SUPPLY SPECIFICATION**

**Drawing:**



**ELECTRONICAL SPECIFICATION**

INPUT VOLTAGE : 100~240 Vac    INPUT RANGE VOLTAGE 90~264 Vac  
 INPUT FREQUENCY : 50/60 Hz  
 INPUT CURRENT : 0.1 Amp. rms. at 100~240 Vac  
 INRUSH CURRENT : 3 Amp. peak at 100~240 Vac  
 Tested At Max. load 25°C , Cool state  
 NO LOAD OUTPUT VOLTAGE 12±10% V  
 LOAD OUTPUT VOLTAGE : 0.5~10.5 V (3 PCS LED)  
 LOAD OUTPUT CURRENT : 0.35± 7.5% A  
 MAX. LOAD OUTPUT POWER : 3.7 W  
 RIPPLE AND NOISE : 500 mVp-p Max. At 240 Vac, 50 Hz, Max. load 25°C  
 NOISE TEST BANDWIDTH : 20 MHz  
 Each output bypassed by a 10uF electrolytic capacitor parallel with a 0.1uF ceramic capacitor to GND.  
 POWER EFFICIENCY : 60% Min. at 100-240Vac 50-60 Hz, 3PCS LED  
 OVER CURRENT PROTECTION , SHORT CIRCUIT PROTECTION  
 TOTAL POWER PROTECTION : 6 W  
 OVER VOLTAGE PROTECTION : 13.2 Vdc Max.

**MECHANICAL SPECIFICATION**

DIMENSIONS: 51.8 (L) \* 26.2 (W) \* 20.8(H)mm (Tolerance as drawing)  
 WEIGHT: 38 g Max.  
 OPERATING TEMPERATURE: 0°C To 50°C  
 STORAGE TEMPERATURE: -20°C To 60°C  
 RELATIVE TEMPERATURE: 40°C ± 2°C  
 MTBF: 50,000 hrs to MIL-HDBK-217F    Warranty: 1.2 years

**STANDARD**

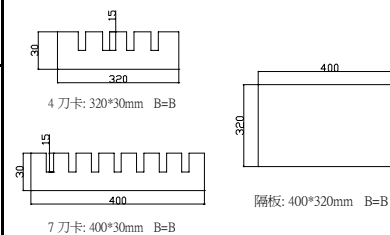
**Input Cable :** 1672 22#\*105°C 250\*5mm  
 Stripped & tinned black/white

**Safty:** UL1310    FCC:FCC Part 15

**RELATIVE HUMIDITY** 85%    **RH. Non-condensing**

**Output Cable :** 1015 22#\*105°C 120\*5mm  
 Stripped & tinned red/black

**INNER BOX:**



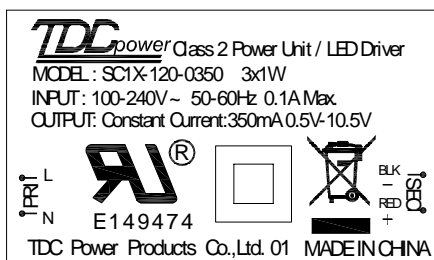
**CARTON:420\*340\*195mm**

**Material: K=A No Nail**

**Q'TY 200 PCS**  
**N.W. : 7.6 KGS**  
**G.W.: 9.6 KGS**  
**MEAS: 0.98 CUFT**

**LABEL:**

**SIZE:34\*20mm**



**PHOTO**

